

# IMPAKTOR 250 evo

(for c&d debris, concrete, green waste, waste wood, tyres etc.)



## DIMENSIONS

Version	Track system and hook lift
Length (mm)	7.700 / 7.300 (Transport)
Width (mm)	2.300 / 2.300 (Transport)
Height (mm)	3.500 / 2.800 (Transport)
Total weight (kg)	14.000

DRIVE	EU	US	ROW*
Engine (Volvo Penta)	TAD 581 VE	TAD 572 VE	TAD 551 VE
Emission standard	EU Stage V	EPA Tier 4f	Stage 3A
Power (kW / HP)	129 / 175	160 / 220	129 / 175
Fuel capacity (l)	360		
Gearbox	Bonfiglioli		

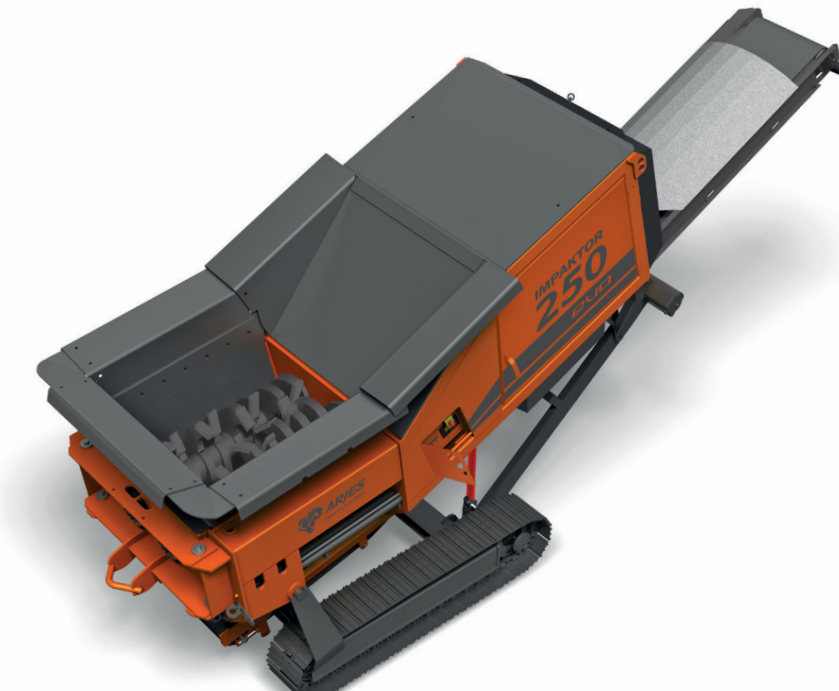
## DISCHARGE BELT

Discharge height (mm)	3.450
Width (mm)	800
Included	Over-belt magnet and water sprinkler system

## SHREDDING UNIT

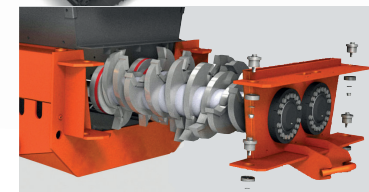
Hopper volume (m <sup>3</sup> )	2,25
Shaft length (mm)	1.500
Shaft diameter (mm)	680
Weight (kg / cassette)	3.800
Rotation speed (rpm)	11 – 35

\*Rest of the world (country-specific requirements);  
We reserve the right to make technical changes, misprints and errors. Status: January 2022



### Easy transportation to any work place

Due to the low basic weight and a hydraulically lowerable chassis, transportation is possible on a small truck or by hook lift truck without special permissions.



### Quick change system for tool shafts

Easy installation and quick removal of shafts, for easier maintenance, refurbishment and changing of shaft type, which increases more productivity.



### Mechanically adjustable side combs

The side combs can be opened or closed, depending on material and customer requirements; decreasing the output size or increasing the throughput rate.